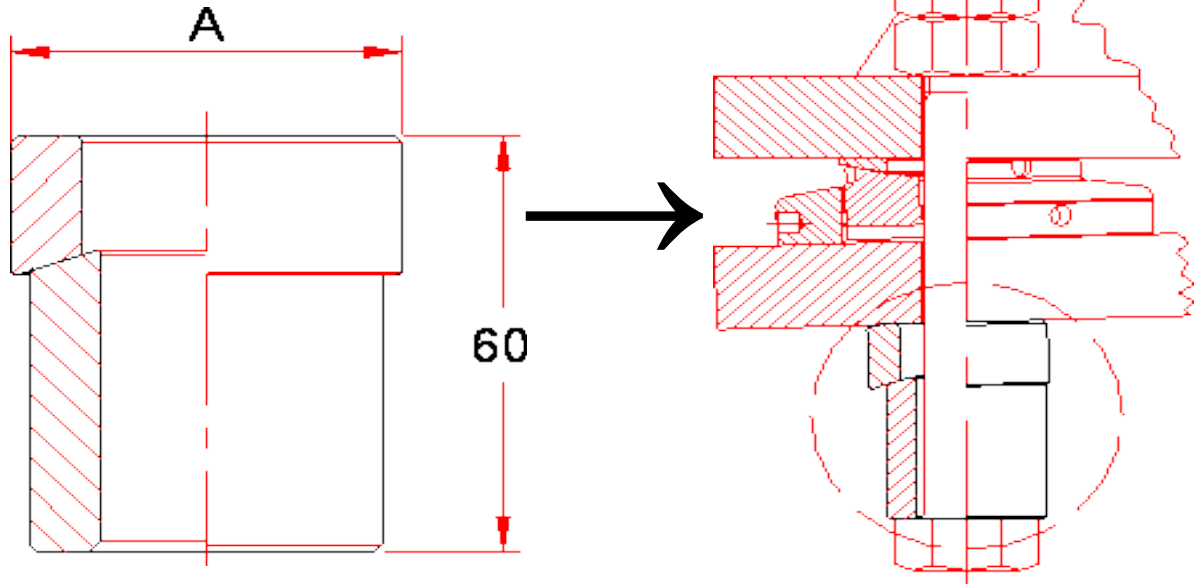


SPHERICAL WASHER



Material: DIN 1.7225 (other materials on request).

Typical Spherical Washer Application

Type / Article no.	Disk Diameter (A)	Total Height (B)
SW 16	33 mm	60 mm
SW 20	42 mm	60 mm
SW 24	47 mm	60 mm
SW 27	52 mm	60 mm
SW 30	56 mm	60 mm
SW 36	67 mm	60 mm
SW 42	82 mm	60 mm
SW 48	92 mm	60 mm
SW 56	107 mm	60 mm
SW 64	122 mm	60 mm